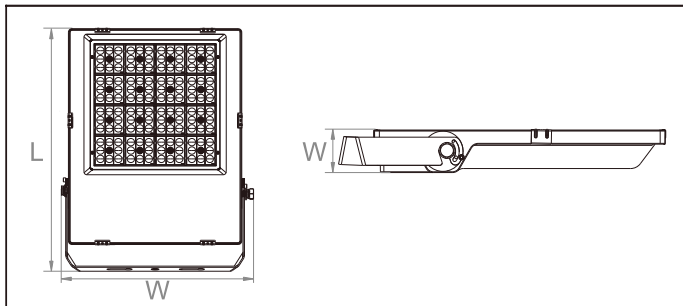




Features

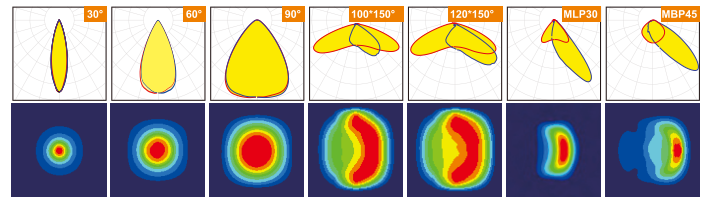
Housing: Die Cast Aluminum
 Thermal Conductivity: 96 W/m·K
 Led: Cree 3030
 CRI: Ra>70
 SDCM: <6
 Power Factor: >0.95
 THD: <15
 Driver: Meanwell
 Driver Efficiency: >93%
 Protection: OTP, OCP, OVP, SCP
 Surge Protection: 6KV
 Waterproof: IP66
 Impact Test: IK08&IK10
 Electrical: 100-277V, 50/60Hz
 Operating Temperature: -40~50 °C
 TM21: L90B10>50,000H
 Lifetime: 50,000H



Functions

ZigBee · DMX · DALI · 0/1~10V

Optical options:



Model	Watt	Voltage	Lumen	CRI	IP	Dimension
HM100SE1H-CM	100W	100~277V	15000LM	>70	IP66	292*246*53
HM150SE1H-CM	150W	100~277V	22500LM	>70	IP66	336*264*53
HM200SE1H-CM	200W	100~277V	30000LM	>70	IP66	407*328*53
HM240SE1H-CM	240W	100~277V	36000LM	>70	IP66	407*328*53
HM300SE1H-CM	300W	100~277V	45000LM	>70	IP66	496*411*71
HM400SE1H-CM	400W	100~277V	60000LM	>70	IP66	496*411*71